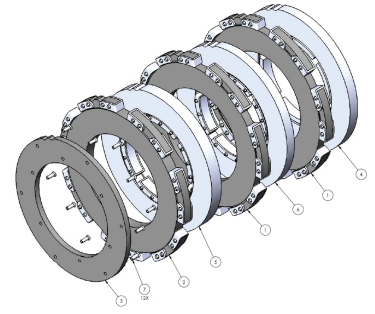
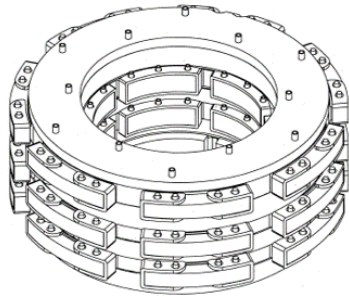
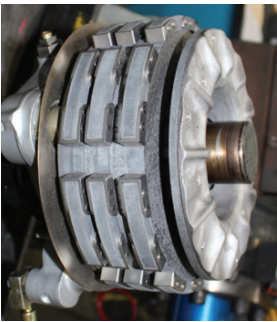


SAVE MONEY WITH OUR SAAB 340 BRAKE OVERHAUL

P/N 5012589-3 UTILIZING THE PMA DESSER CARBON HEAT STACK



DESSER

- 5013270-DAC
(ALTERNATIVE TO OEM P/N 5013270)
- C&L is the only distributor for the Desser Carbon Heat Stack
- Displaces 30-year-old carbon technology with the latest state-of-the-art carbon/carbon resins/carbon manufacturing processes to create the most consistent carbon on the market
- Independently tested on 2 different dynos
- Over 400 development test & certification test landings at max gross landing weight (MGLW) with zero failure

■ Certification tests confirm:

- Testing shows significantly better wear than OEM
- Shorter rejected takeoff stopping distance
- Equivalent design landing stopping distance
- 30% faster brake cooling

■ FAA flight tests demonstrated:

- 500 ft reduction in accelerate-stop distance (RTO)
- 150 ft reduction in design landing distance

- PMA is FAA Certified, EASA and TC approved

- Brake consignments available to qualifying operators

+1 207 217 6050

Australia **+61 (0)7 3354 8100**

Europe **+420 312 312 601**

inquiries@cla.aero | www.cla.aero



C&L Aerospace

YOUR ONE-STOP SOLUTION FOR AIRCRAFT SUPPORT AND SERVICE